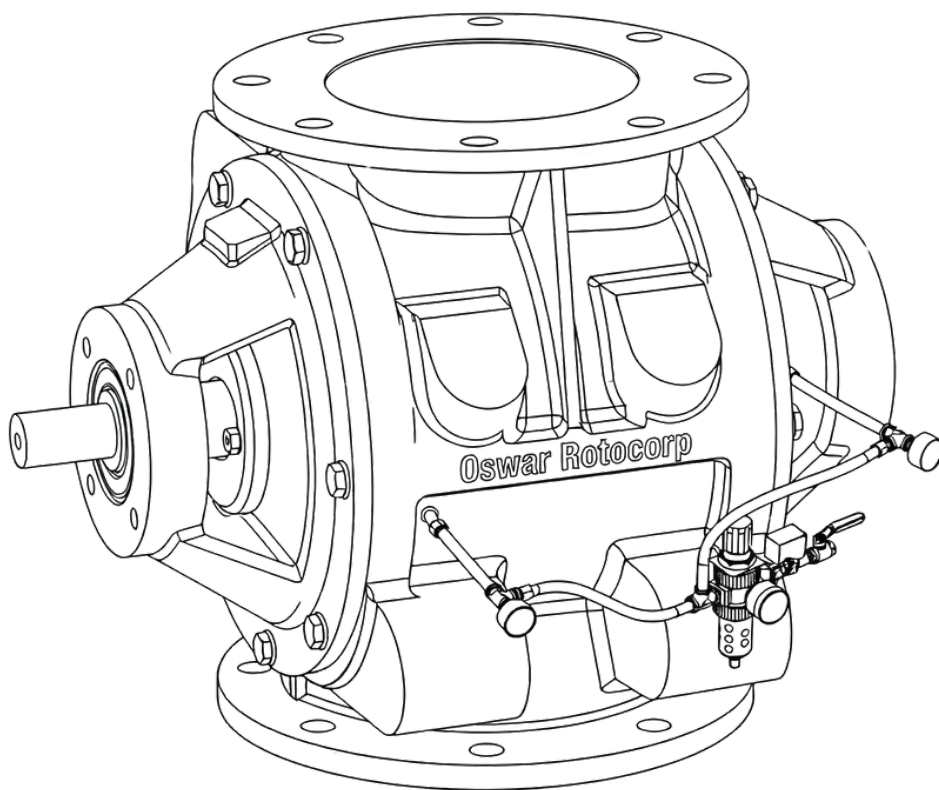
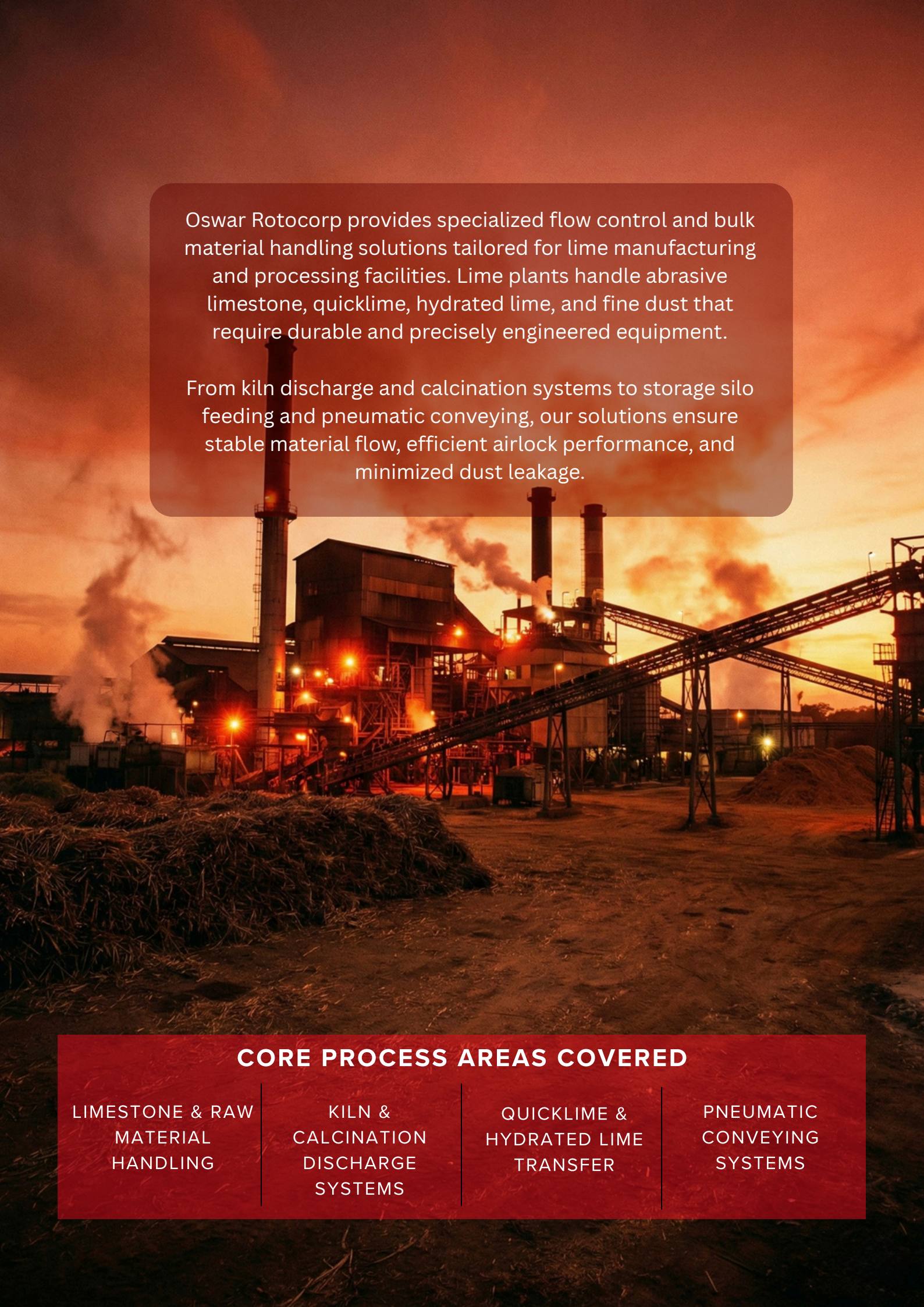


# LIME INDUSTRY

## CALCINATION & LIME PROCESSING SYSTEMS



**OSWAR**  
rotocorp



Oswar Rotocorp provides specialized flow control and bulk material handling solutions tailored for lime manufacturing and processing facilities. Lime plants handle abrasive limestone, quicklime, hydrated lime, and fine dust that require durable and precisely engineered equipment.

From kiln discharge and calcination systems to storage silo feeding and pneumatic conveying, our solutions ensure stable material flow, efficient airlock performance, and minimized dust leakage.

## CORE PROCESS AREAS COVERED

LIMESTONE & RAW  
MATERIAL  
HANDLING

KILN &  
CALCINATION  
DISCHARGE  
SYSTEMS

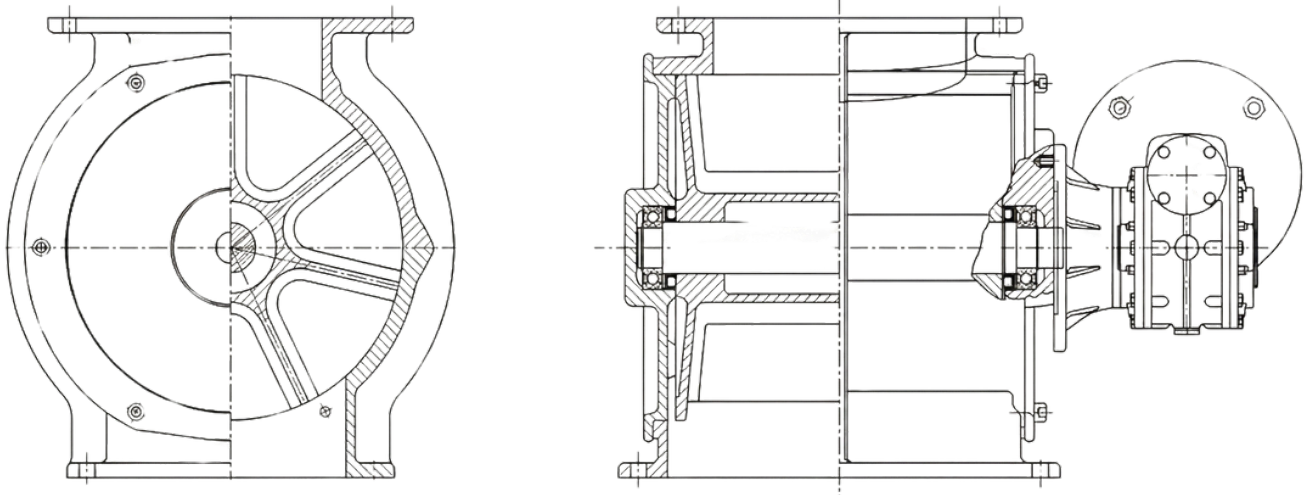
QUICKLIME &  
HYDRATED LIME  
TRANSFER

PNEUMATIC  
CONVEYING  
SYSTEMS

# BUILT FOR HEAT, ABRASION & DUST CONTROL

Lime processing involves high-temperature kiln operations and abrasive powder handling. Our solutions are constructed using reinforced housings, optimized rotor geometry, and wear-resistant materials to ensure long-term durability.

Precision-engineered Rotary Valves provide consistent discharge and reliable airlock efficiency in kiln systems, dust collectors, and pneumatic conveying lines. Heat-resistant sealing configurations and heavy-duty bearing assemblies enhance operational stability under continuous load.



## ENGINEERING FEATURES

- Heavy-Duty Rotary Valves for Lime Discharge
- High-Temperature Rotary Valves for Kiln Systems
- Pneumatic Pressure Rotary Valves for Conveying
- Slide Gate Valves for Silo Isolation
- Diverter Valves for Multi-Line Routing
- Flap Valves / Gravity Gates for Dust Systems

# ENSURING RELIABLE & EFFICIENT LIME PRODUCTION

- **Stable & Controlled Material Discharge**
- **Improved Airlock Efficiency**
- **High Wear & Temperature Resistance**
- **Reduced Dust Leakage**
- **Extended Equipment Service Life**
- **Lower Maintenance Frequency**



# OSWAR

## rotocorp

### **Corporate Office**

Jaipur, Rajasthan India  
Nagpur, Maharashtra India

### **Sales Inquiries**

[info@oswarrotocorp.com](mailto:info@oswarrotocorp.com)

### **Helpline**

[+44 7917 128505](tel:+447917128505) | +91 77422 36474

**Copyright** © 2026 OSWAR ROTOCORP. All Rights Reserved. OSWAR® is a registered trademark of **OSWAR ROTOCORP**. This brochure makes no offers, representations or warranties (express or implied), and information and data contained in this brochure are for general reference only and may change at any time.